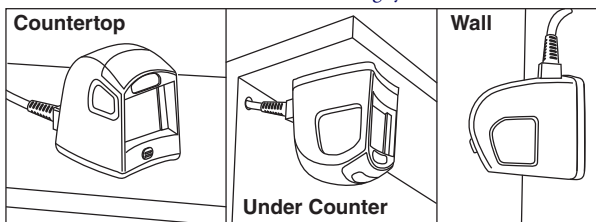


Magellan® 1100i Fixed Mounting Plate Instructions

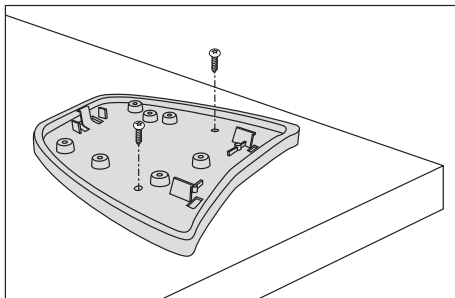
Securing the Fixed Mounting Plate

This sturdy plate can be used to mount the scanner in a number of positions; either for new installations or to add to an existing system.



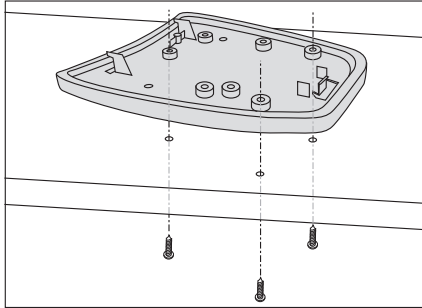
New Installation

1. Determine the mounting location. The plate allows flexible, yet sturdy mounting to a countertop, table, wall, or even under a counter. While deciding on the best position, you might want to keep in mind the best way to route the scanner cable (you may need to drill a hole for it).
2. Using two of the screws provided in the kit, securely fasten them down through the plate in the position desired.



Existing Installation

1. For your convenience, the Fixed Mounting Plate has been designed to mount to the same hole patterns that have already been drilled for a scanner being replaced. Just push the new screws up through the existing holes to secure the mounting plate in place of the old unit. If the screw pattern doesn't match, attach using the New Installation instructions.



Latching/Unlatching the Scanner

1. To latch, engage the front latches as shown in the “Latching” illustration, then rotate the rear of the scanner down onto the stand to secure the scanner in the rear latch.
2. Unlatching: Grasp the scanner as shown and rotate the rear up and away from the stand to disengage the rear latch, then the opposite end away from the front latches.

