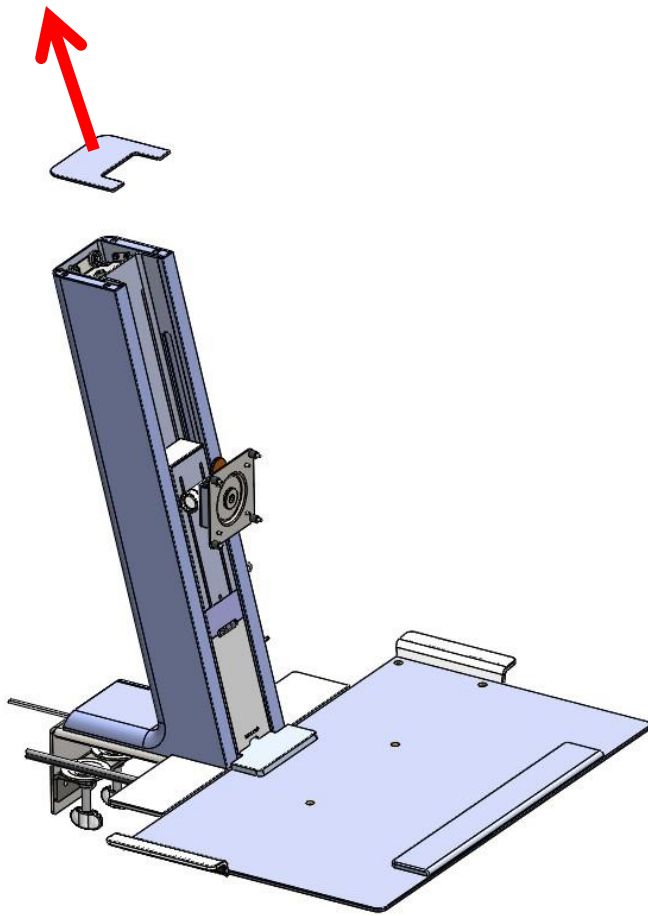


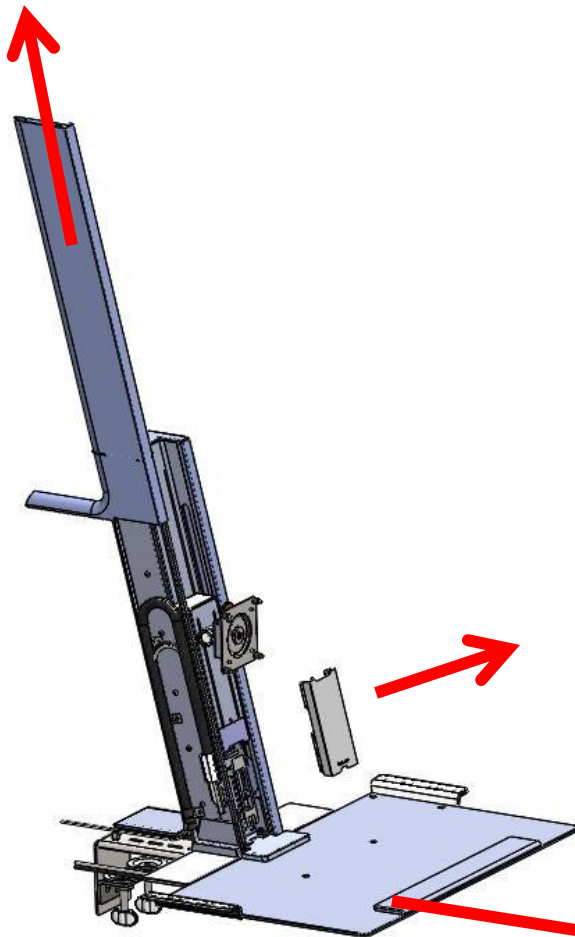
QuickStand™

CABLE SET INSTALLATION INSTRUCTIONS





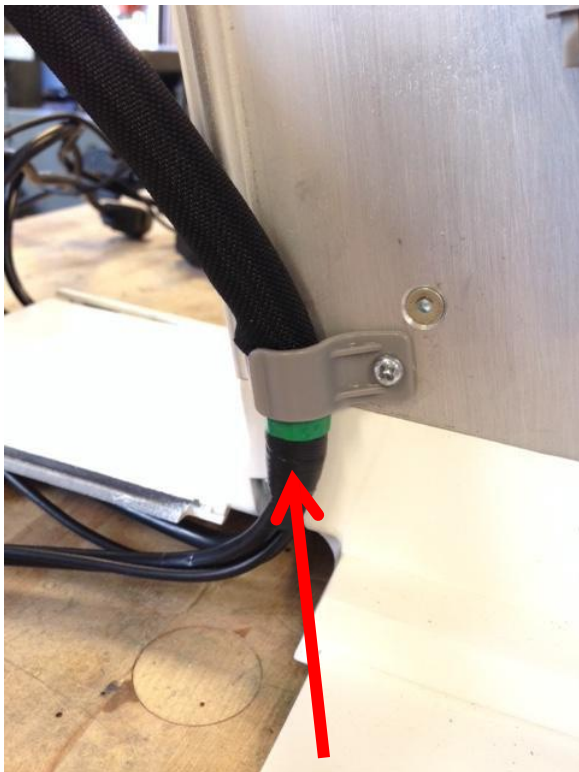
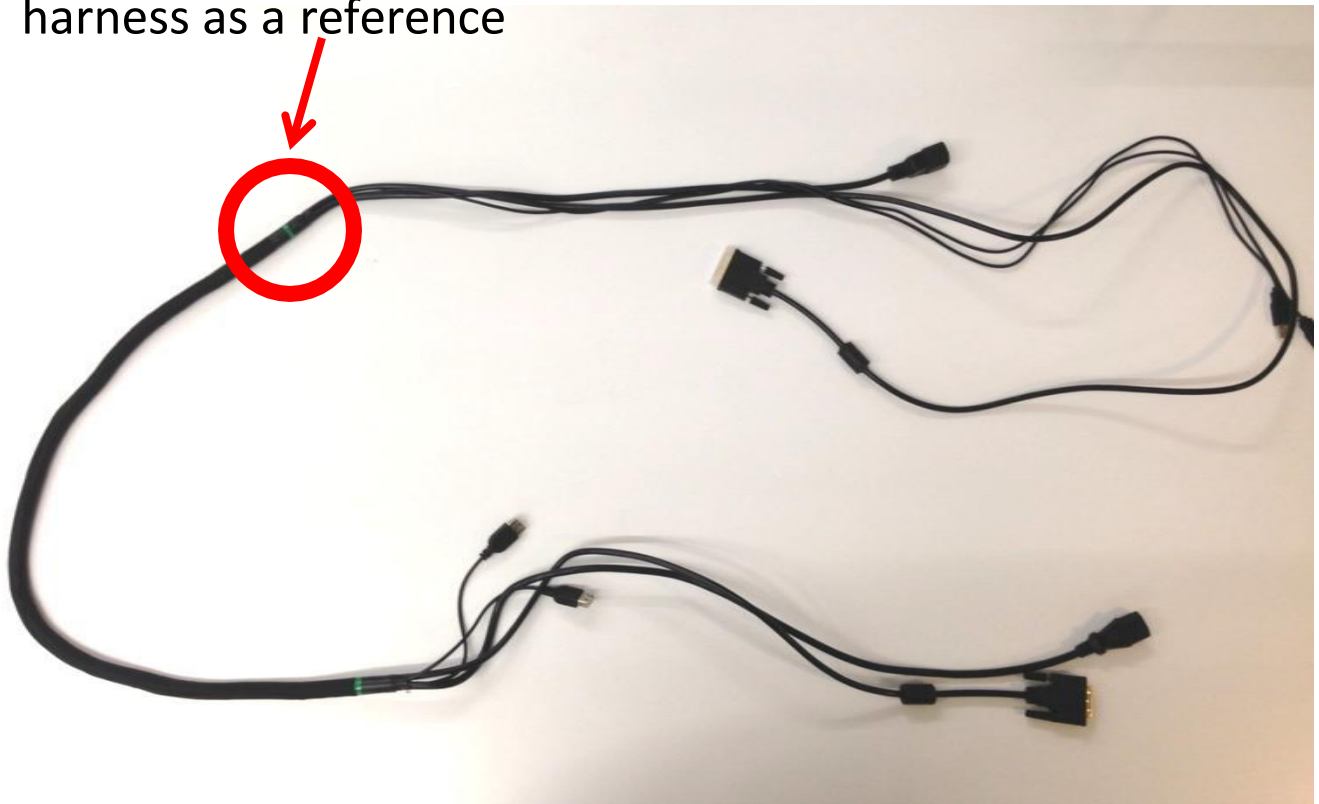
1. Remove top cover by pulling it upwards from the rear of the unit.



2. Remove side cover by sliding it upwards as shown. Remove front cover by pulling forward.

Keep the keyboard platform in the DOWN position through the cables installation

3. Use the green tape on the long end of the cable harness as a reference



4. Align the green tape on the side of the harness as shown above with the bottom clip



5. Starting from bottom to top, slide in the cable harness under the (3) plastic clips.



The side of the assembly should look like this

green tape



6. Remove the static cable clamp by removing the two phillips head screws as shown.



7. Feed the video, power, and USB (if applicable) cables through the **BOTTOM** of the slot on the side of the tower. The platform must be in the **DOWN** position in order to be able to feed the cables through.



8. Open the Dynamic Cable Clamp by sliding the Clamp Sleeve upwards.



9. Swing open the Dynamic Cable Clamp without removing it from its place.



10. Slide the Cable Harness into the Dynamic Cable Clamp.

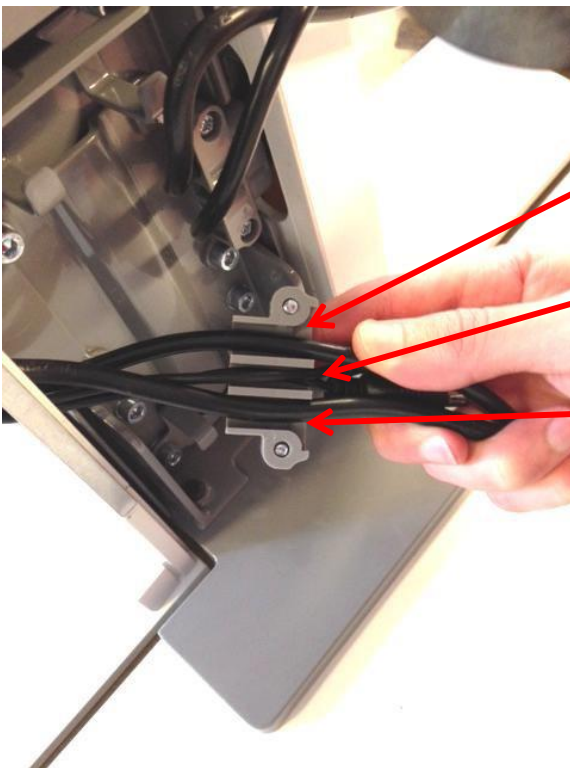
Align the green tape with the top of the dynamic cable clamp



11. Close the Dynamic Cable Clamp. Use needle nose pliers if necessary



12. Slide the Clamp Sleeve onto the Dynamic Cable Clamp to fasten it.

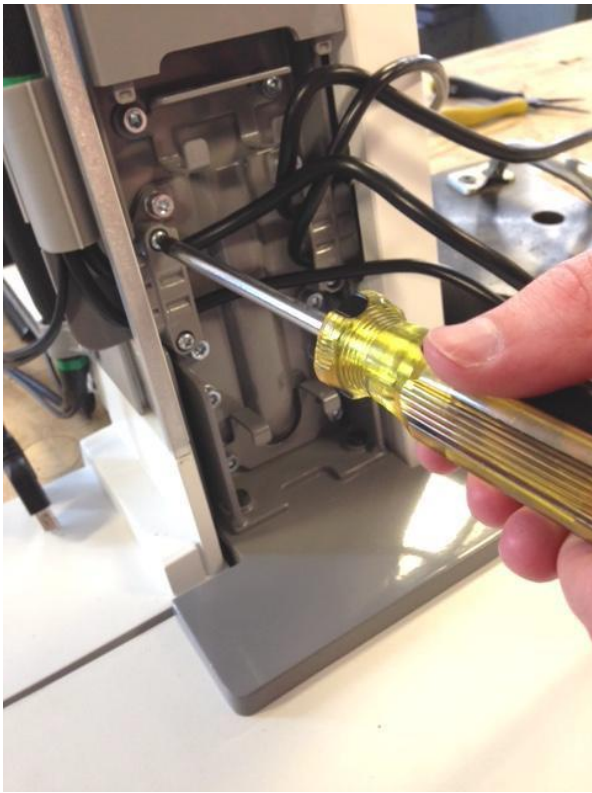


power or video

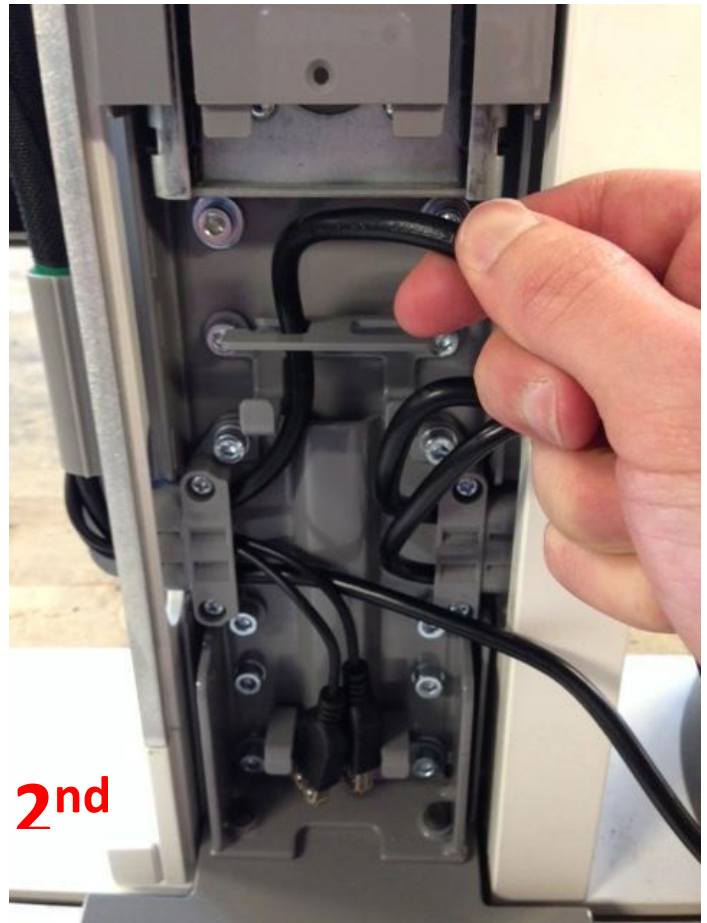
USB cables (if applicable)

power or video

13. Place the cables on the static clamp channels as shown

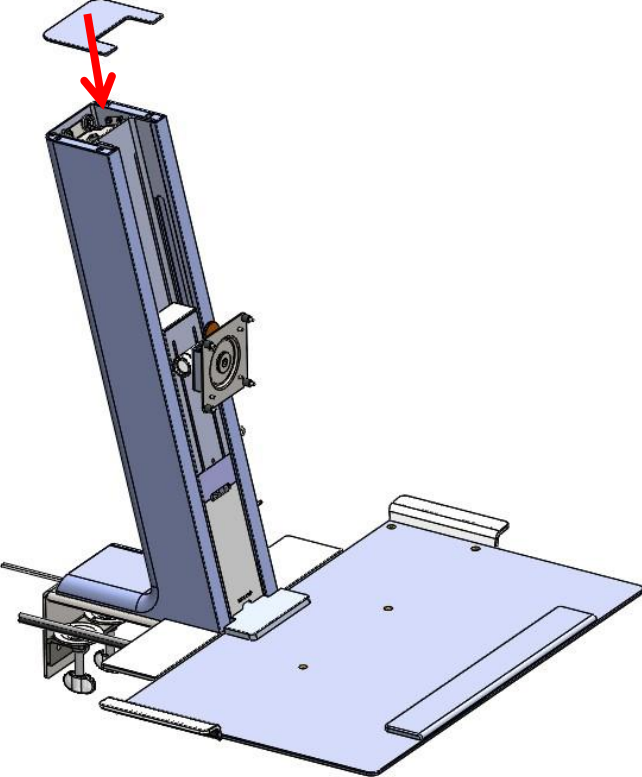
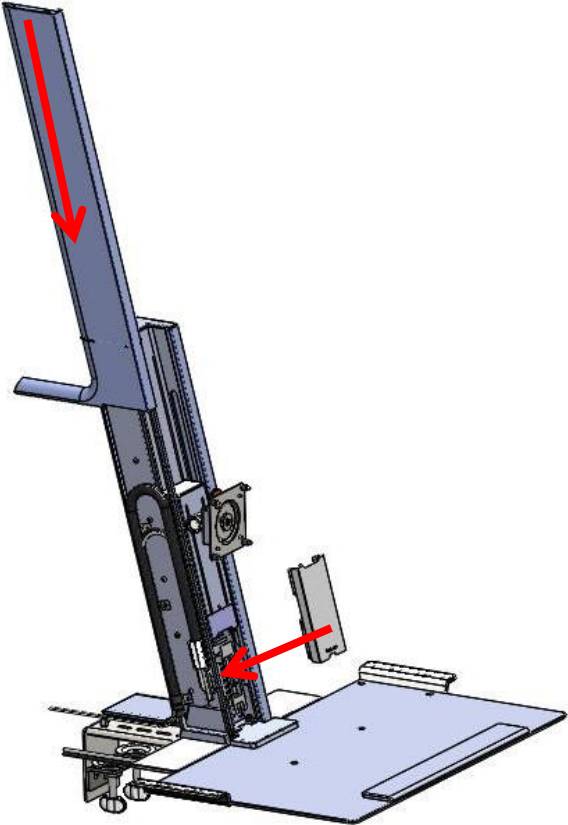


14. Re-install the static cable clamp onto the tower by using (2) phillips head screws as shown.



15. Loop cables around sheet metal part as shown above

INCORRECT CABLE PATH



16. Re-install plastic covers