



For the minimalist.

The Touch tablet stand has been thoughtfully designed to securely display your tablet without requiring a case, clamps or cables. Simply showcase your tablet as it was designed - slim, sleek and unobstructed. Available in different mounting options, the Touch is perfect for desktop use.

Table of contents

1. Product Overview
2. Universal
3. Port Accessibility
4. Cable Management
5. Pole Options
6. Movement
7. Position Lock
8. Base Options
9. Pre Assembled
10. Specifications



Designed for all tablets

Universal

Might update your iPad or android tablet in the future?
The Touch tablet holder supports all devices and is secured by 4 strong 3M Command Strip adhesives included with the stand.

**SAMSUNG**

Lenovo



amazon

ASUS



Port Accessibility

All your device ports and buttons are fully accessible with the Touch tablet stand. Featuring a minimalist design with no external casing, your iPad or Android device is secured in place using 4 strong 3M Command strip adhesives and an additional screw lock for added security.

The Touch tablet stand allows you immediate access to all ports on your device. Need to charge, want to add headphones? No problem. This is a stand that offers unobstructed access to all ports and any buttons or controls on your tablet device.



Cable Management

Easily charge your device with internal cable routing through the Touch bracket and down the stand. The cable can either go through the mounting surface for the Evo Screw Mount stand or Nexus stand or out the back of all stand options depending on your use case. Featuring a minimalist design with no external casing,

your iPad or Android device is secured in place using strong 3M adhesives and an additional hex screw lock for added security.

Pole Options



Evo Screw Mount & Freestanding

Measuring up to 7.95" (202mm) high and complete with flexible mounting options, the Evo stand ensures the perfect height for counter top POS and self service kiosk applications.

Both Freestanding and Screw Mount options are constructed with high grade metal casting and features a powder coated finish for strength and durability.

Nexus Stand

Measuring 3.19" (81mm) high, the Elite Nexus stand is ideal for use when sitting at a desk or standing at a counter.

This stand is constructed with high grade metal casting and features a powder coated finish for strength and durability. The Nexus stand can be either mounted by strong adhesive pads which are included with the stand or screwed down to a surface.



Need more info?
Refer to specifications
(page 8) for detailed
measurements.



Nexus Stand

The Nexus stand rotates between portrait and landscape and includes a 180 degree swivel, which is perfect for customer facing Point Of Sale (POS) and kiosk stands.

Evo Screw Mount & Freestanding

Both Screw Mount and Freestanding options rotate between portrait and landscape and also features a 40-degree tilt for a functional and ergonomic design.





Nexus Stand

If you are wanting to lock the rotation as a fixed stand option, twist the Nexus stand 90 degrees to the middle position. Using the lock screw and Allen key supplied, screw into place as shown.

Evo Screw Mount & Freestanding

To lock the Touch bracket in either landscape or portrait, screw in the lock screw with the Allen key supplied. This can be done with the Touch case still attached. Simply remove the metal bracket and screw holes will still be accessible.



Evo Tilt Position Lock

To lock in place your desired ergonomic tilt, simply tighten the screw with supplied Allen key.





Base and Mounting Options

Nexus Base

The Nexus stand can be either mounted by strong adhesive pads which are included with the stand or screwed down to a surface.

Evo Freestanding Base

The Evo Freestanding base includes anti slip rubber pads for a mobile stand option. Alternatively, secure the base to a surface with the supplied strong 3m adhesives.

Evo Screw Mount Base

For a secured mount option, the Evo Screw Mount can be screwed down from above with a casing to cover the bracket or alternatively screw from underneath for a clean mounting option.



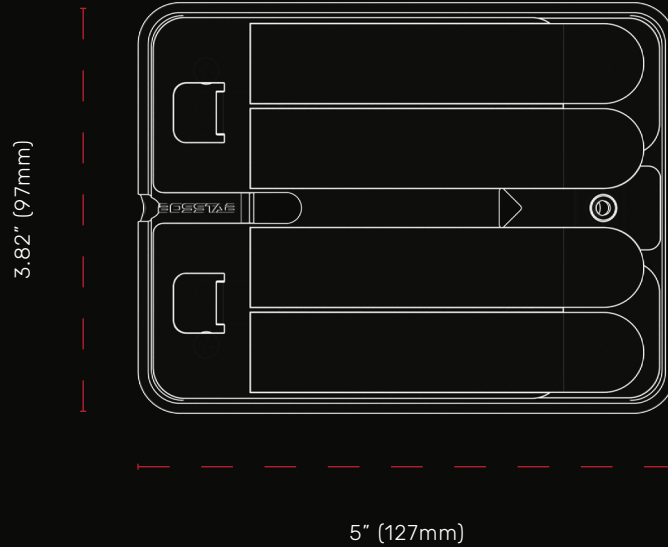


No Assembly Needed

Want an easy installation process without having to worry about parts, screws and assembly guides? We thought so. This stand comes fully pre-assembled for trouble-free, large-scale roll outs.

Universal tablet compatibility:

The Touch case includes 3M adhesive strips that can attach to any tablet with a flat surface back.

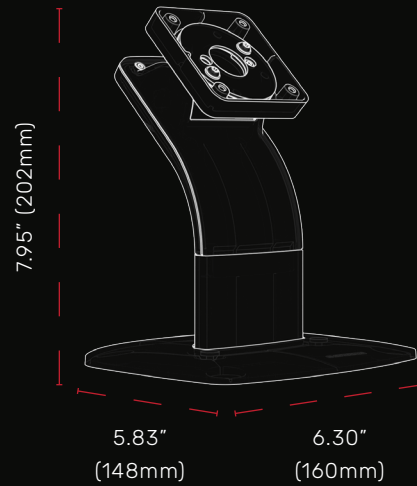


Nexus



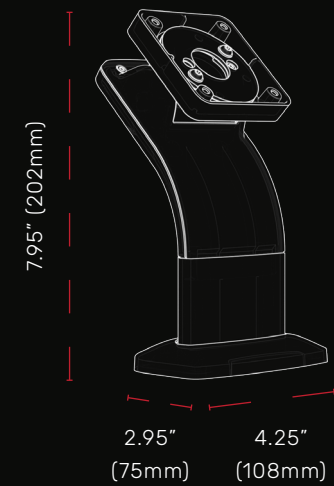
Evo

Freestanding



Evo

Screw Mount



Exact tablet stand width and height will depend on your device.